

WESTEN



PULSAR

SPARE PARTS LIST

- November 2005 -

WESTEN

HOW TO READ THE SPARE PARTS CATALOGUE

In the spare part catalogue, after the exploded diagrams, there are the components lists of the boilers; this is the meaning of the different columns:

Pos.	Identification number of the component in the exploded diagram of the boiler.
Description	Short description of the component.
Code	BAXI S.p.A. code of the component.
Tab. XX	XX is the exploded diagram number of the boiler taken into consideration.
From serial number	Date (year and week) identifying the beginning of production of a component (taken from the serial number of the boiler). e.g. B005: year 2000 (B identifies the decade 2000-2009; 0 identifies the year) – 5th week . If the box is empty, the component is in use from the beginning of production of the boiler.
To serial number	Date (year and week) identifying the end of production of a component (taken from the serial number of the boiler). e.g. B012: year 2000 (B identifies the decade 2000-2009; 0 identifies the year) – 12th week . If the box is empty, the component is still in use.
Interchangeable	It identifies the interchangeability between the new component and the old one. YES: components are interchangeable. NO: components are <u>not</u> interchangeable.

3.1.1 Note

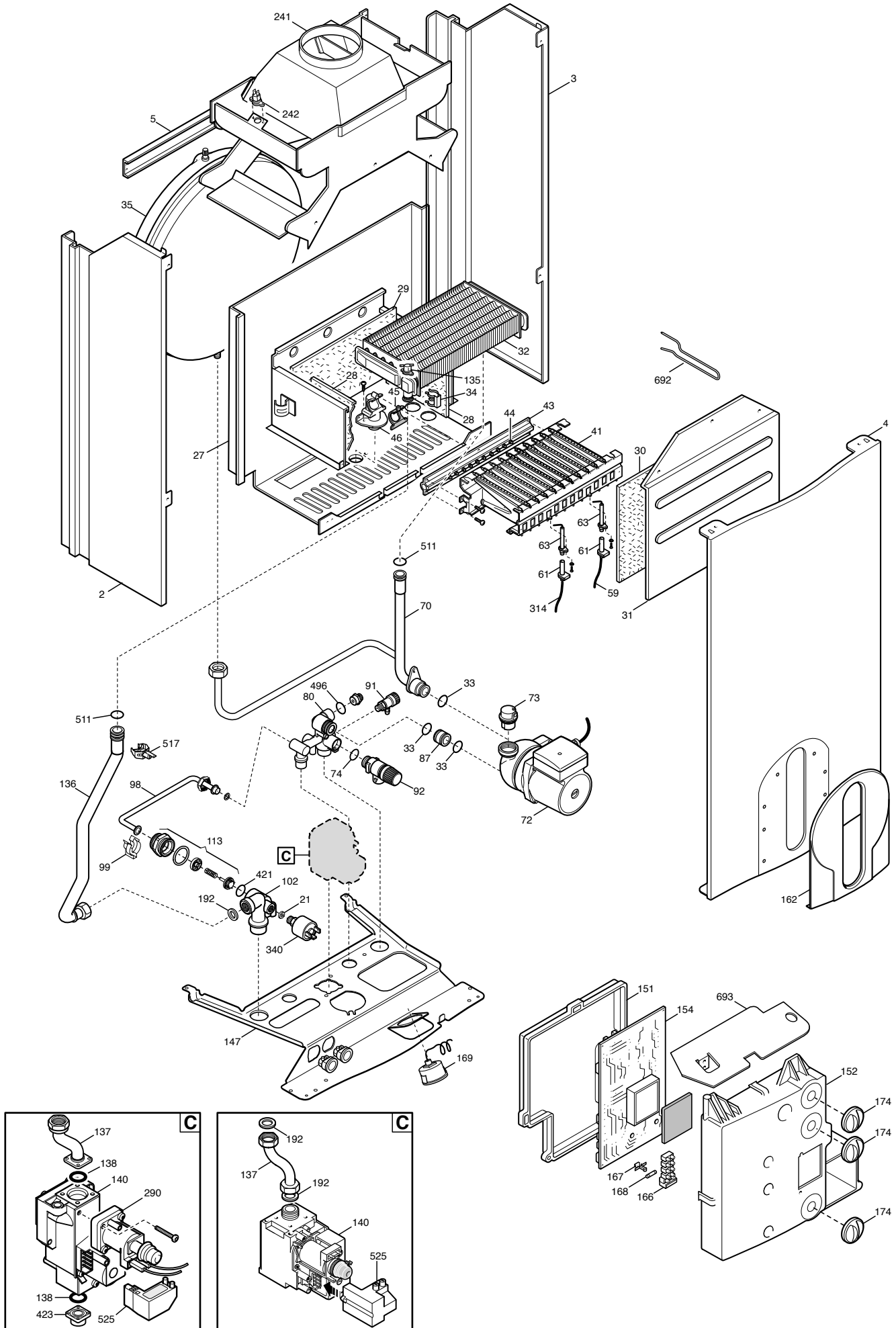
Every model of boiler is available in the version working with Natural Gas or in the version working with LPG.

The boiler's code (composed of a prefix CWB and 9 numbers) identifies the version as follows:

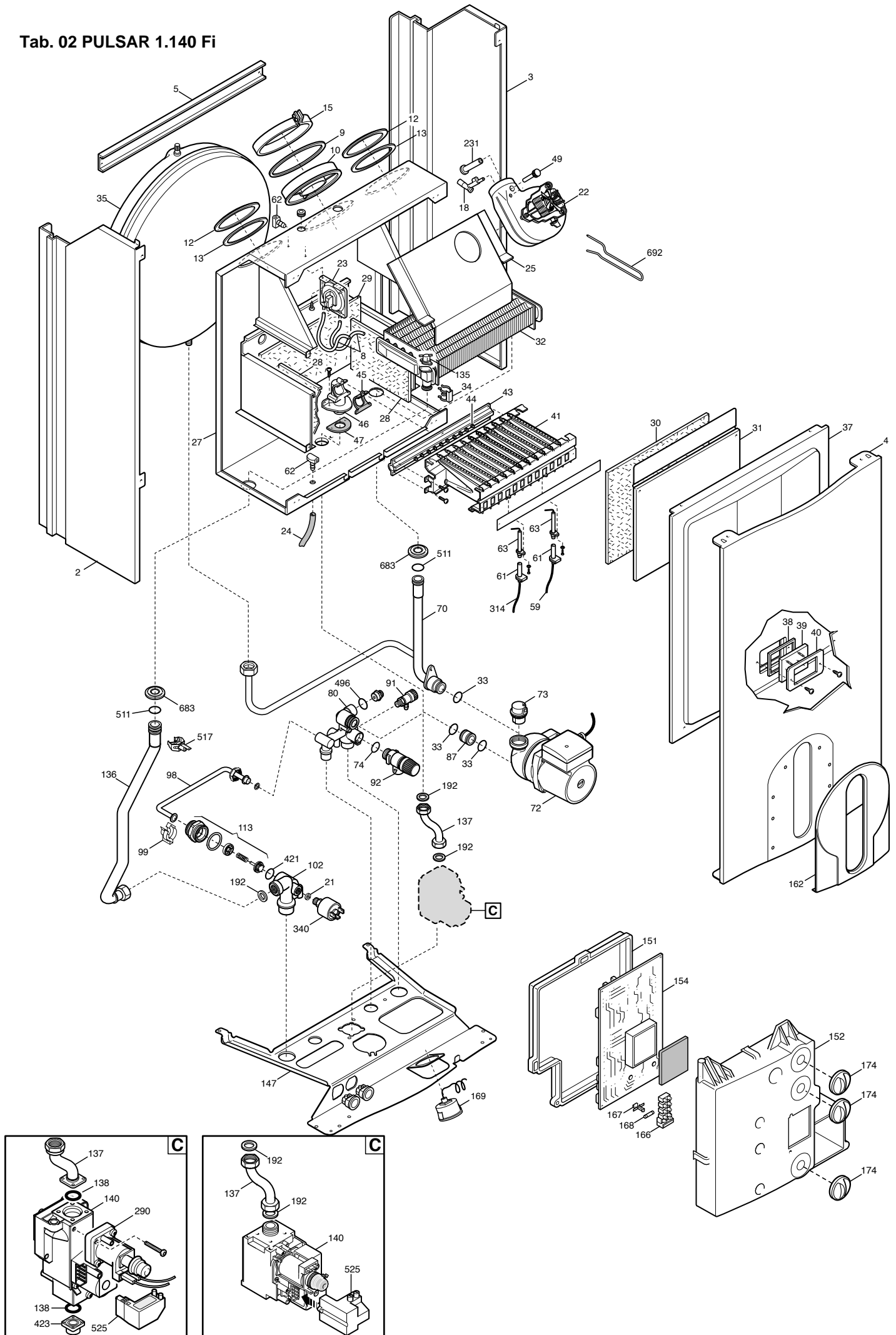
6th number = 1: LPG version

6th number = 3: Natural Gas version

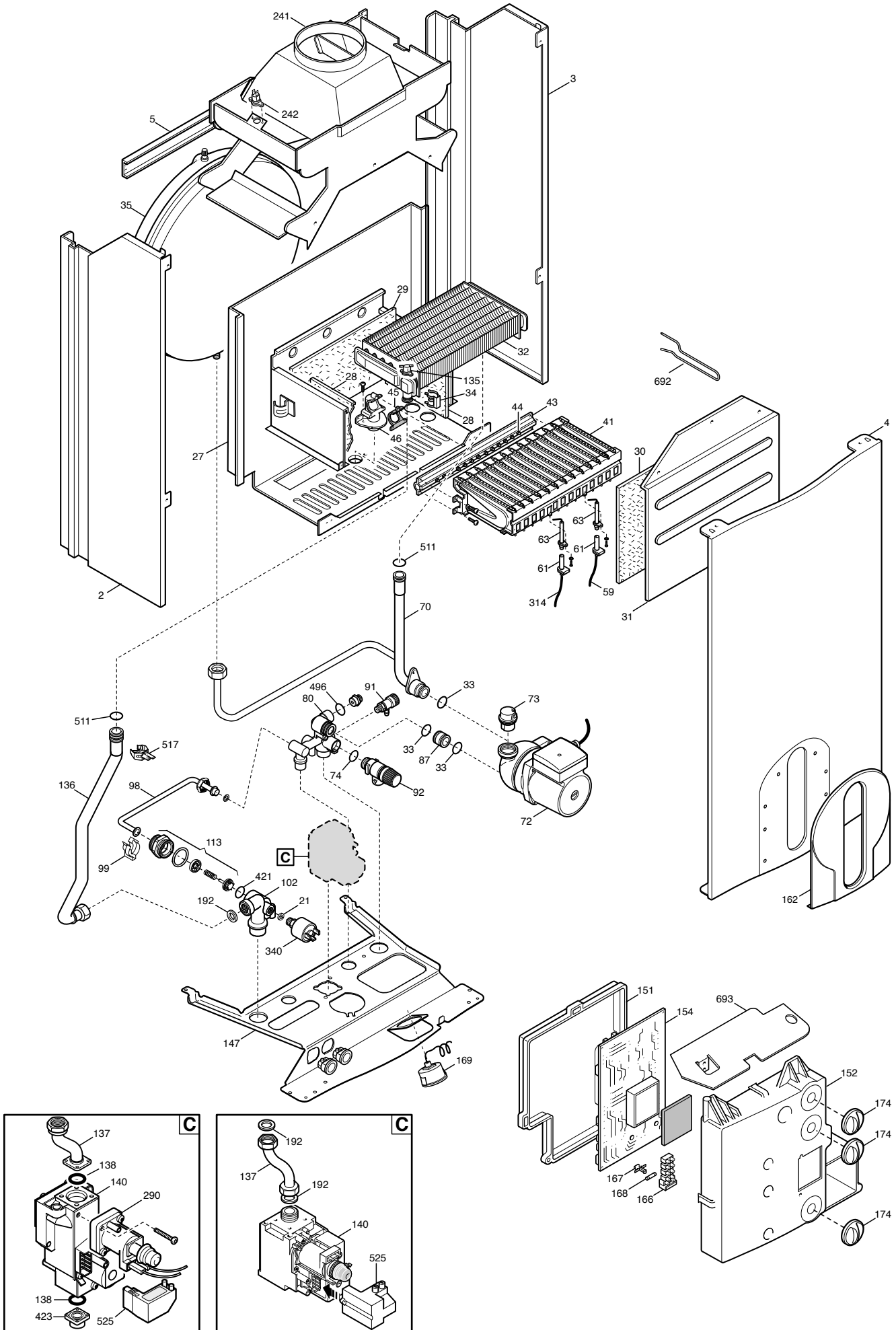
TAB.01 PULSAR 1.140 i



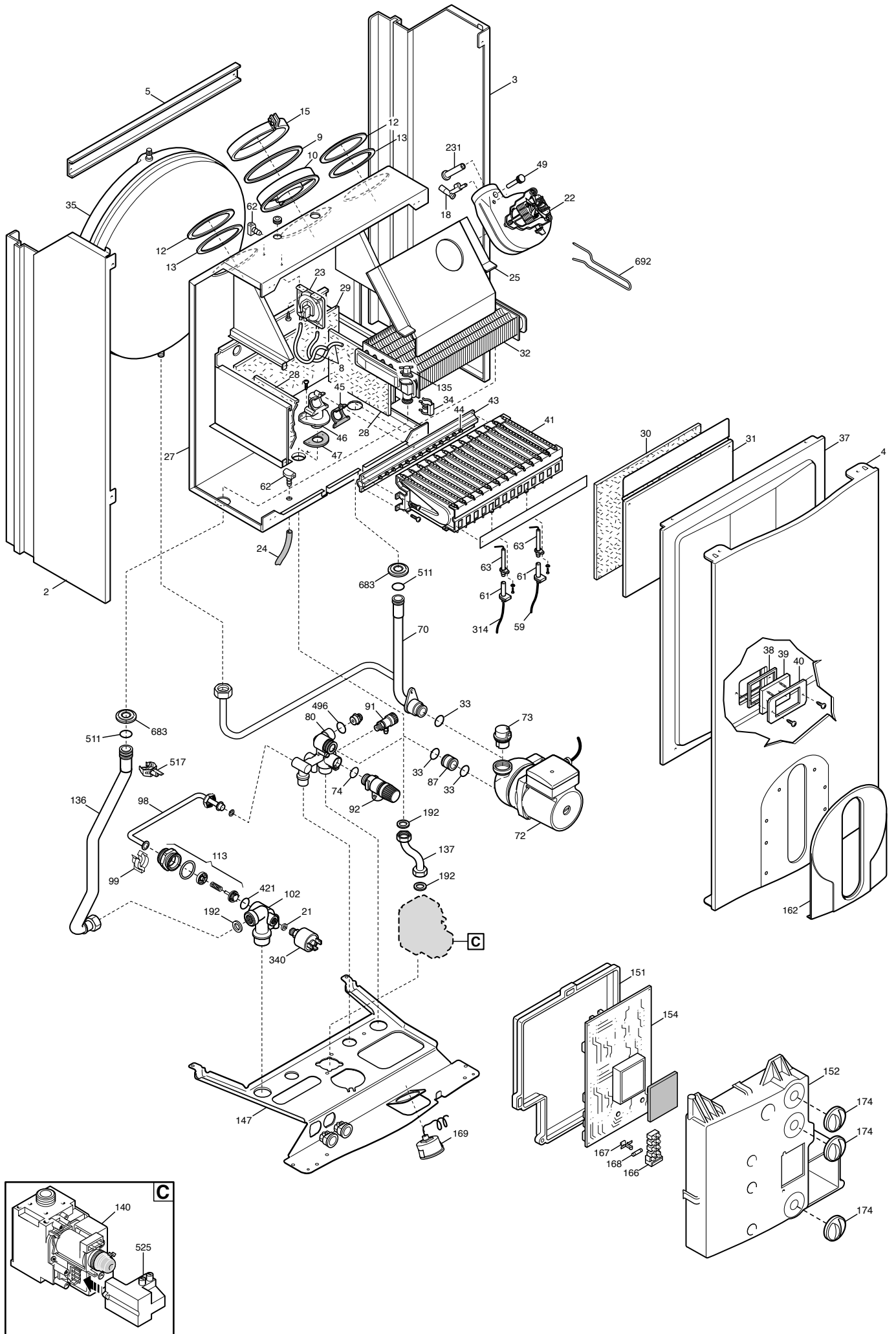
Tab. 02 PULSAR 1.140 Fi



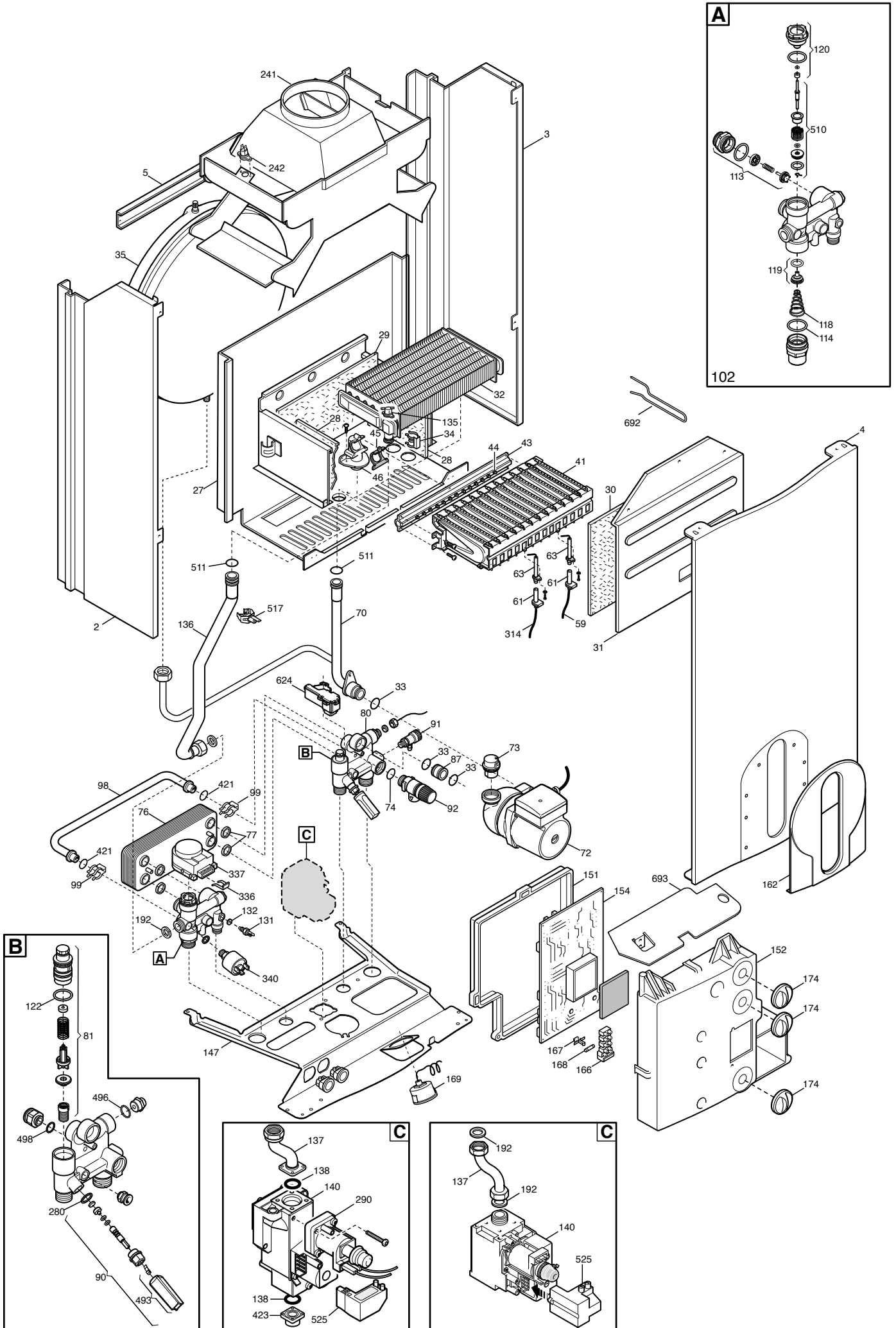
TAB 03 PULSAR 1.240 i



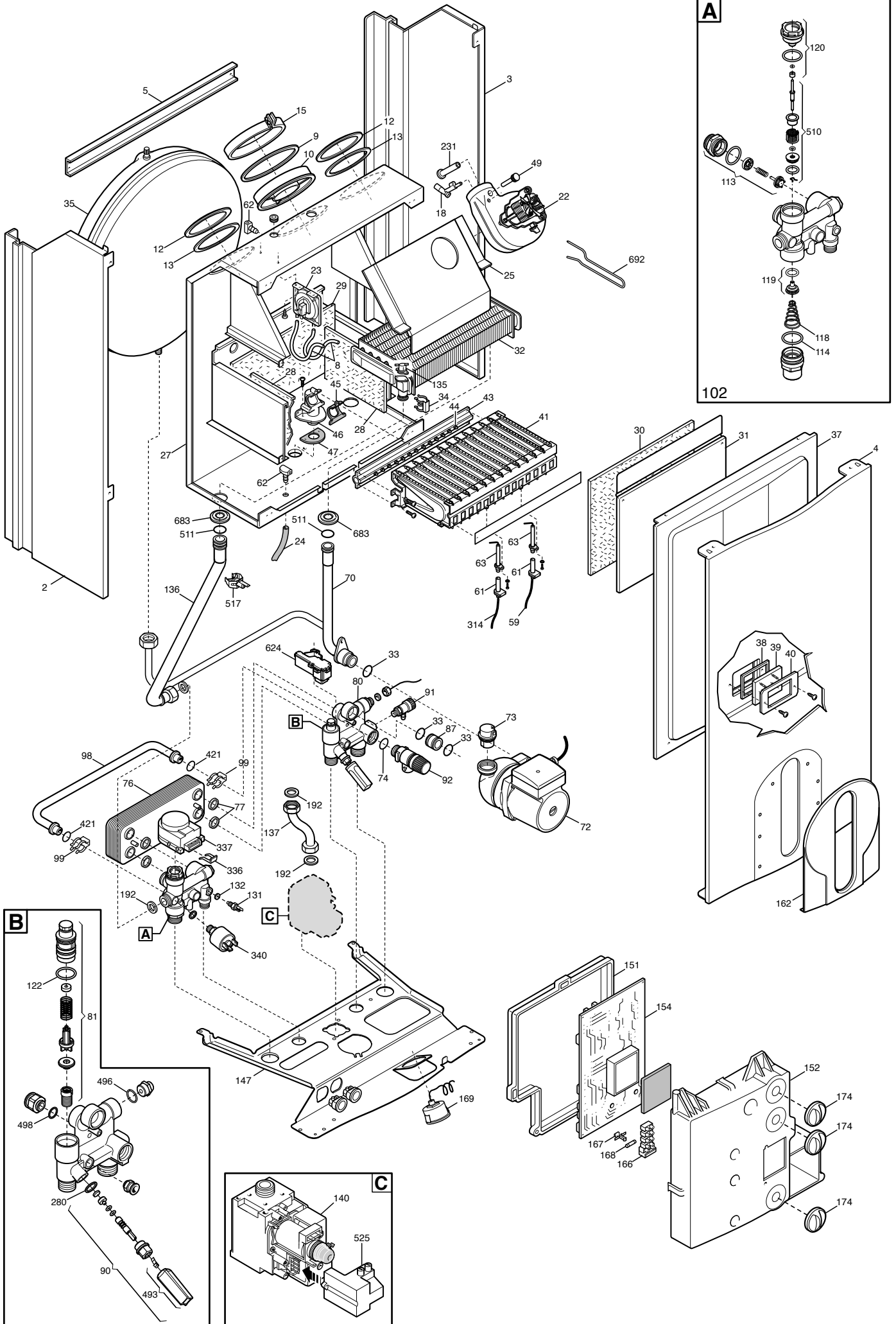
TAB 04 PULSAR 1.240 Fi



TAB. 05 PULSAR 240 i



TAB. 06 PULSAR 240 Fi



PULSAR

1/11/05

CYH441143980 - PULSAR 1,140i
 CYH445143980 - PULSAR 1,140 Fi
 CYH441243980 - PULSAR 1,240i
 CYH445243980 - PULSAR 1,240 Fi
 CYH442243980 - PULSAR 1,240 Fi
 CYH446243980 - PULSAR 240i

Pos	Description	Code	Tab. 01	Tab. 02	Tab. 03	Tab. 04	Tab. 05	Tab. 06	From serial number	To serial number	Inter-changeable	Note
2	LEFT PANEL ASSEMBLY	5668310			•		•			B524	NO	
2	LEFT PANEL ASSEMBLY	5677560	•		•		•		B525			
2	LEFT PANEL ASSEMBLY	5663680				•		•		B524	NO	
2	LEFT PANEL ASSEMBLY	5677580		•		•		•	B525			
3	RIGH PANEL ASSEMBLY	5668300			•		•			B524	NO	
3	RIGH PANEL ASSEMBLY	5677550	•		•		•		B525			
3	RIGH PANEL ASSEMBLY	5663670				•		•		B524	NO	
3	RIGH PANEL ASSEMBLY	5677570		•		•		•	B525			
4	ECO CUBE FRONTAL PANEL	5115470			•	•	•	•		B524	NO	
4	ECO CUBE FRONTAL PANEL	5115620	•	•	•	•	•	•	B525			
5	FRONTAL TRAVERSE	5113790	•	•	•	•	•	•				
8	AIR PRESSURE SWITCH PIPE L=270	5408080		•		•		•				
9	SUCTION RESTRICTOR D.80	5108700		•		•		•				
10	COAXIAL FLUE GASKET	5409450		•		•		•				
12	SUCTION CAP	5108690		•		•		•				
13	SUCTION CAP GASKET	5407400		•		•		•				
15	JOINT ASSEMBLY D. 100 L=20 (with screws)	5664050		•		•		•				
18	FLUE PLASTIC VENTURI	5409580		•		•		•				
21	GASKET 6,1X12X1,5 WRC	5402050	•	•	•	•	•	•				
22	FAN 1 SPEED	5663810		•		•		•				
23	FAN PRESSURE SWITCH	5640000		•		•		•				
24	COMPENSATION PIPE L=130	5407930		•		•		•				
25	CONVEYOR	5113800		•		•		•				
27	COMBUSTION CHAMBER ASSEMBLY	5676830				•		•				
27	COMBUSTION CHAMBER ASSEMBLY	5677210			•			•				
27	COMBUSTION CHAMBER ASSEMBLY	5677940	•									
27	COMBUSTION CHAMBER ASSEMBLY	5678490		•								
28	LATERAL INSULATING PANEL	5213210		•		•		•				
28	LATERAL INSULATING PANEL	5213220	•		•			•				
29	REAR INSULATING PANEL	5213280	•	•	•	•	•	•				
30	FRONTAL INSULATING PANEL (FF)	5213370		•		•		•				
30	FRONTAL INSULATING PANEL (FF)	5213380	•		•			•				
31	COMB. CHAMBER PANEL	5113820		•		•		•				
31	COMB. CHAMBER PANEL	5114290	•		•			•				
32	PRIMARY EXCHANGER WITH CLIPS	5677660	•	•	•	•	•	•				
33	O-RING 22X3 EPDM	5403130	•	•	•	•	•	•				
34	CLIPS FOR PRIMARY EXCHANGER	5113650	•	•	•	•	•	•				
35	EXPANSION VESSEL 8L	5663880		•		•		•				
35	EXPANSION VESSEL 7L	5668370	•		•			•				
37	SEALED CHAMBER FRONT PANEL	5663830		•		•		•				
38	PILOT SIGHT GLASS GASKET	5401610		•		•		•				
39	PILOT SIGHT GLASS	5203930		•		•		•				
40	PILOT SIGHT FRAME	5103360		•		•		•				
41	BURNER ASSEMBLY (13 ELEMENTS)	5663710			•	•	•	•				
41	BURNER ASSEMBLY (10 ELEMENTS)	5665980	•	•								
43	GAS RAMP WITH INJECTORS (N.G. D.1,28)	612960				•		•				
43	GAS RAMP WITH INJECTORS (N.G. D.1,18)	615260			•			•				

PULSAR

1/11/05

CYH441143980 - PULSAR 1.140i
 CYH445143980 - PULSAR 1.140 Fi
 CYH441243980 - PULSAR 1.240i
 CYH445243980 - PULSAR 1.240 Fi
 CYH442243980 - PULSAR 1.240 Fi
 CYH446243980 - PULSAR 240i

Pos	Description	Code	Tab. 01	Tab. 02	Tab. 03	Tab. 04	Tab. 05	Tab. 06	From serial number	To serial number	Inter-changeable	Note
43	GAS RAMP WITH INJECTORS (N.G. D.1,18)	619610	•	•								
44	NATURAL GAS INJECTORS KIT	5666400				•		•				
44	NATURAL GAS INJECTORS KIT	5669460	•	•	•		•					
44	LPG INJECTORS KIT	5680020	•	•	•	•	•	•				
45	GAS RAMP GASKET	5407940	•	•	•	•	•	•				
46	GAS RAMP CONNECTING FLANGE	5211030	•	•	•	•	•	•				
47	GASKET (GAS RAMP/SEALED CHAMBER)	5404760		•		•		•				
49	HOSE ADAPTER CAP	5409520		•		•		•				
59	IGNITION ELECTRODE CABLE	8419050	•	•	•	•	•	•				
61	ELECTRODE PROTECTION CAP	5407830	•	•	•	•	•	•				
62	SEALED CHAMBER HOSE ADAPTER	5409570		•		•		•				
63	IGNITION ELECTRODE	8422570	•	•	•	•	•	•				
70	PIPE ASSEMBLY (PUMP/EXCHANGER)	5676860		•		•		•				
70	PIPE ASSEMBLY (PUMP/EXCHANGER)	5677270	•		•		•					
72	PUMP UP 15-50 AO (GRUNDFOS)	5661200	•	•	•	•	•	•				
73	AIR VENT VALVE WITH O-RING (CALEFFI)	607290	•	•	•	•	•	•				
74	OR 14X1,78 EP	5406360	•	•	•	•	•	•				
76	HEAT EXCHANGER-DHW(10 PLATES) ALFA LAVAL	5653650					•	•				
77	GASKET-PLATE HEAT EXCHANGER	5404520					•	•				
80	HYDRAULIC INLET GROUP	5676890					•	•				
80	HYDRAULIC INLET ASSEMBLY	5655650	•	•	•	•						
81	FILTER VENTURI AND PADDLE ASSEMBLY	619050					•	•				
87	PUMP CONNECTING ELEMENT	5210710					•	•				
90	FILLING TAP ASSEMBLY	611930					•	•				
91	DRAINING TAP	5652030	•	•	•	•	•	•				
92	HYDRAULIC SAFETY VALVE WITH O.R. -3 bar-	5653690	•	•	•	•	•	•				
98	BY-PASS PIPE ASSEMBLY	5212890					•	•				
98	BY-PASS PIPE ASSEMBLY	5672770	•	•	•	•						
99	CLIP - FIXING - BYPASS	8380850	•	•	•	•	•	•				
102	3 WAY VALVE ASSEMBLY	5676910					•	•				
102	CH OUTLET - ASSEMBLY	5676490	•	•	•	•						
113	HYDRAULIC OUTLET / BY-PASS ASSEMBLY	617100	•	•	•	•	•	•				
114	O-RING 26,64x2,62 EP -50-	5403820					•	•				
118	CONIC SPRING	8380520					•	•				
119	HEATING PLATE ASSEMBLY	605760					•	•				
120	SANITARY PLUG ASSEMBLY	600750	•	•	•	•	•	•				
122	O-RING 23,47X2,62 E.P. -49-	5405370					•	•				
131	NTC SENSOR	8434820					•	•				
132	NTC SENSOR GASKET	5402830	•	•	•	•	•	•				
135	LIMIT THERMOSTAT 105°C	9951610	•	•	•	•	•	•				
136	PIPE ASSEMBLY (3 WAY VALVE/EXCHANGER)	5676870		•		•		•				
136	PIPE ASSEMBLY (3 WAY VALVE/EXCHANGER)	5677260	•		•		•					
137	GAS PIPE - FF (SIT)	5676970		•		•		•				
137	GAS PIPE - ATM (SIT)	5677010	•		•		•					
137	GAS PIPE - FF (HONEYWELL)	5676930		•		•		•				
137	GAS PIPE - ATM (HONEYWELL)	5677250	•		•		•					
138	O-RING 22,22X2,62	5402010	•	•	•	•	•	•				

PULSAR

1/11/05

CYH441143980 - PULSAR 1.140i
 CYH445143980 - PULSAR 1.140 Fi
 CYH441243980 - PULSAR 1.240i
 CYH445243980 - PULSAR 1.240 Fi
 CYH442243980 - PULSAR 240i
 CYH446243980 - PULSAR 240 Fi

Pos	Description	Code	Tab. 01	Tab. 02	Tab. 03	Tab. 04	Tab. 05	Tab. 06	From serial number	To serial number	Inter-changeable	Note
140	GAS VALVE (SIT 845063 SIGMA)	5658830	•	•	•	•	•	•				
140	GAS VALVE (HONEYWELL VK4105M 5033)	5665220	•	•	•	•	•	•				
147	CONNECTION TRAVERSE	5676130	•	•	•	•	•	•				
151	ELECTRIC BOX REAR COVER	5409550	•	•	•	•	•	•				
152	PRINTED CONTROL PANEL	5676950	•	•	•	•	•	•				
154	P.C.B. (BERTELLI)	5676960	•	•	•	•	•	•		B541	YES	
154	P.C.B. (BERTELLI) WITH INSTRUCTION	5680230	•	•	•	•	•	•	B542			
162	PANEL PLATE - PULSAR 240 Fi	5677540						•				
162	PANEL PLATE - PULSAR 240 i	5677690					•					
162	PANEL PLATE - PULSAR 1.240 Fi	5677820				•						
162	PANEL PLATE - PULSAR 1.240 i	5677830			•							
162	PANEL PLATE - PULSAR 1.140 Fi	5678660		•								
162	PANEL PLATE - PULSAR 1.140 i	5678660	•									
166	TERMINAL BLOCK	8421590	•	•	•	•	•	•				
167	FUSE HOLDER	5405340	•	•	•	•	•	•				
168	FUSE (2A-250V)	9950580	•	•	•	•	•	•				
169	MANOMETER D.40 -T&G	9951330	•	•	•	•	•	•				
174	KNOB	5409750	•	•	•	•	•	•				
192	GASKET G 3/4 17X24X2 WRC	5404650	•	•	•	•	•	•				
231	FLUE INTAKE	5409480		•		•		•				
241	DRAUGHT DIVERTER ASSEMBLY	5668420			•		•					
241	DRAUGHT DIVERTER ASSEMBLY	5678060	•									
242	FLUE SAFETY THERMOSTAT 70°C	616160			•		•					
242	FLUE SAFETY THERMOSTAT 60°C	606930	•									
280	GASKET 14,2X18X1,5 AL -18-	5207730					•	•				
290	MODULATOR ASSEMBLY -VK4105M-	5665230	•	•	•		•					
314	FLAME SENSING ELECTRODE CABLE	8418870	•	•	•	•	•	•				
336	MOTOR FIXING SPRING	8380680					•	•				
337	ELBI MOTOR	5647340					•	•				
340	SAFETY CH PRESSURE SWITCH	5663750	•	•	•	•	•	•				
421	O-RING 11,91X2,62 NBR	5408270	•	•	•	•	•	•				
423	GAS VALVE CONNECTION	5210410	•	•	•		•					
493	KNOB ASSEMBLY	612130					•	•				
496	O-RING 2062	400020					•	•				
498	O-RING 2056	400030					•	•				
510	DHW PADDLE ASSEMBLY	600760	•	•	•	•	•	•				
511	O-RING 17,86X2,62	5404600	•	•	•	•	•	•				
517	NTC SENSOR (ITS)	8435360	•	•	•	•	•	•				
525	SAC CONNECTOR	8511800	•	•	•	•	•	•				
525	ANSTOSS CONNECTOR	8511790	•	•	•	•	•	•				
624	HALL EFFECT SENSOR	8435280					•	•				
683	GASKET (PIPE/SEALED CHAMBER)	5408810		•		•		•				
692	PRIMARY EXCHANGER CLIPS	5114360	•	•	•	•	•	•				
693	PRINTED CONTROL PANEL PROTECTION	5114350	•		•		•					
9999	POWER SUPPLY WIRING	8511770						•				
9999	POWER SUPPLY WIRING	8511880	•		•		•					
9999	LOW VOLTAGE COMP. WIRING	8511780						•				

PULSAR

1/11/05

CYH441143980 - PULSAR 1.140i
 CYH445143980 - PULSAR 1.140 Fi
 CYH441243980 - PULSAR 1.240i
 CYH445243980 - PULSAR 1.240 Fi
 CYH442243980 - PULSAR 240i
 CYH446243980 - PULSAR 240 Fi

Pos	Description	Code	Tab. 01	Tab. 02	Tab. 03	Tab. 04	Tab. 05	Tab. 06	From serial number	To serial number	Inter-changeable	Note
9999	LOW VOLTAGE COMP. WIRING	8511940		•		•						
9999	LOW VOLTAGE COMP. WIRING	8511850					•					
9999	LOW VOLTAGE COMP. WIRING	8511910	•		•							
9999	EARTH WIRING - SIT	8419080	•	•	•	•	•	•				
9999	TIMER CONNECTOR	8418860	•	•	•	•	•	•				
9999	3 WAY VALVE WIRING	8511810					•	•				
9999	3 WAY VALVE WIRING	8512140	•	•	•	•						
9999	PUMP/FUN WIRING	8511820		•		•		•				
9999	MODULATOR/NTC SANITARY SENSOR WIRING	8511830						•				
9999	MODULATOR/NTC SANITARY SENSOR WIRING	8511950		•		•						
9999	MODULATOR WIRING	8511920	•		•							
9999	NTC HEAT. SENSOR/AIR PRESSURE SWITCH/LIMIT TH. WIRING	8511840						•				
9999	NTC HEAT. SENSOR/AIR PRESSURE SWITCH/LIMIT TH. WIRING	8511960		•		•						
9999	NTC HEAT. SENSOR/H2O PRESS./AIR TH./LIMIT TH. WIRING	8511930	•		•							
9999	POWER SUPPLY CABLE	8414620	•	•	•	•	•	•				

WESTEN

**Via Trozzetti, 20
36061 BASSANO DEL GRAPPA (VI)
ITALY
Tel. +390424517111
Telefax +390424517379**